



WINCHESTER
REPEATING ARMS

2008 CATALOG

THE RETURN OF THE
MODEL 70™
AND THE
NEW SPEED PUMP™

PLUS

SUPER X®3
WILDCAT™
SUPER X® RIFLE
MODEL 101™
PLATINUM



RED, WHITE & BLUED.

MODEL 70

MODEL 70™ THE RIFLE AMERICA LOVES.

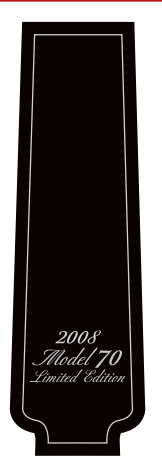
THE MOST RESPECTED BOLT-ACTION RIFLE IN THE WORLD. THE MODEL 70 REMAINS THE ALL-AMERICAN RIFLEMAN'S RIFLE. IT HAS ALWAYS BEEN A RIFLE FOR THE AGES, AND TODAY'S NEW MODEL 70 IS THE BOLT-ACTION RIFLE FOR THE FUTURE. EXPERIENCE FOR YOURSELF THE PRECISION, ACCURACY AND UNPARALLELED PERFORMANCE THIS RIFLE HAS TO OFFER.

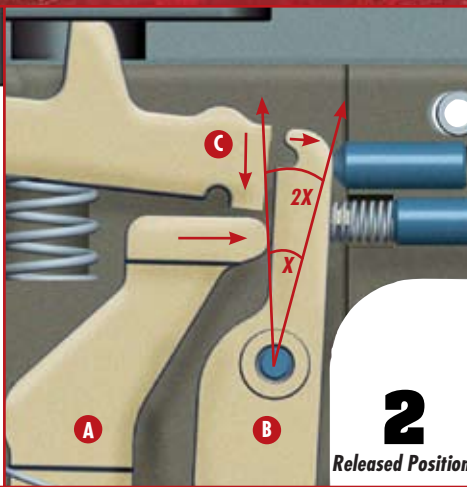
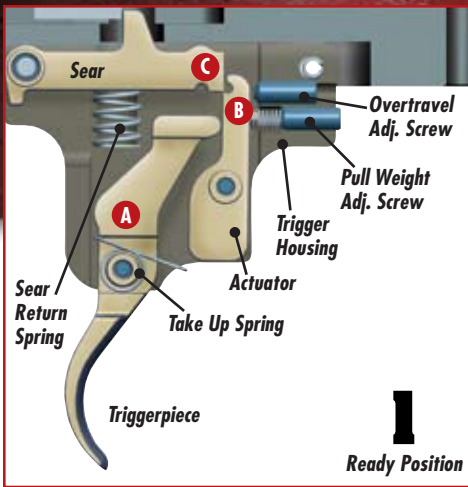
FOR 2008 THE NEW MODEL 70 HAS THE ALL NEW M.O.A.™ TRIGGER SYSTEM, IMPROVED FIT AND FINISH AND ENHANCED ACCURACY TO GO ALONG WITH ITS CLASSIC PRE-'64 CONTROLLED ROUND FEEDING, THREE-POSITION SAFETY AND SOLID, SURE HANDLING. THE M.O.A. TRIGGER HELPS THE MODEL 70 DELIVER THE EXTREME ACCURACY BENCHMARK 1" GROUP AT 100 YARDS. IT'S WHAT YOU DESERVE IN YOUR RIFLE.



MODEL 70

2008 Model 70 Limited Series. This is an exciting year as the Model 70 makes its return to the hunting and shooting world. To commemorate this, every Model 70 manufactured in 2008 will have this custom one-piece floorplate. Quantities will be limited. Delivery starting June, 2008.





New M.O.A. Trigger System. The Model 70 M.O.A. Trigger System works on the simple principle of the pivoting lever. Pictured above are the triggerpiece (A), actuator (B), and sear (C). All internal parts, pins and springs are precision crafted from stainless steel. The sear and actuator are electroless nickel Teflon® coated for corrosion resistance and smoother operation.

2:1 Mechanical Advantage. The M.O.A.'s triggerpiece offers a wide, smooth face to better distribute finger pressure for a lighter, more sensitive feel. Because of the M.O.A. Trigger's new geometry and 2:1 mechanical advantage, as the triggerpiece moves rearward (X) it travels only half the distance of the actuator (2X). Since this distance is greatly decreased, the perception of trigger creep and overtravel movement are virtually eliminated.

No Overtravel. As the actuator is engaged by the triggerpiece, it moves forward to release the sear, which in turn releases the firing pin. The M.O.A. Trigger System is set at the factory to have minimal overtravel. As the sear releases the striker block and the firing pin there is no post-release trigger movement to upset your aim or move the bullet off its intended path. Trigger pull weight and overtravel can be adjusted by a gunsmith if desired.



WITH THE TRIPLE ZERO ADVANTAGE

The Model 70's new M.O.A. Trigger System is the most precise three-lever trigger system in the world. Operating on a simple pivoting lever principle, the trigger mechanism has been completely redesigned to exhibit zero take up, zero creep and zero overtravel. The pull weight ranges from 3 to 5 pounds and is factory-set at 3¾ pounds. Because of the enhanced ergonomics, wide smooth triggerpiece and 2:1 mechanical advantage created by the unique design geometry, it actually feels like half that weight. Don't settle for a lesser trigger design with secondary triggerpiece levers, gimmicks or other novelties. Experience for yourself the M.O.A. accuracy, precision and control that come from the new Model 70 M.O.A. Trigger System.

ZERO TAKE UP

Take up is the distance the triggerpiece travels prior to the sear moving toward release and the shooter feeling resistance. The new Model 70 M.O.A. Trigger System has no take up because the take up spring keeps the triggerpiece in constant contact with the actuator.

ZERO CREEP

Creep is the perceptible movement of the trigger prior to the release of the firing pin or striker. Creep has a negative influence on accuracy because it adds inconsistency and uncertainty during the trigger pull. This contributes to jerking the trigger and thus adds to the movement of the firearm during firing. The 2:1 mechanical advantage created by the trigger design's unique geometry is how creep has been virtually eliminated in the new Model 70 M.O.A. Trigger.

ZERO OVERTRAVEL

Overtravel is the rearward movement of the trigger after the firing pin or striker has been released. It can actually jar the gun away from its intended point of aim and is also very distracting to the shooter. That's why the new Model 70 M.O.A. Trigger System is set at the factory to have no perceptible overtravel. Where you aim is where you shoot.



BUILT RIGHT, BUILT IN THE USA

The All-American Model 70s are built by American craftsmen in Columbia, South Carolina, at the same state-of-the-art factory as the rifles and machine guns used by America's Armed Forces to defend freedom around the world. They are made to the exact ISO 9001 standard of quality that Uncle Sam insists upon for military firearms.

HOT ROD.

MODEL 70

MODEL 70™ LEGENDARY LUXURY RIFLE.

THE STANDARD OF THE LAST CENTURY IS THE LEADER OF THE NEW. THE WINCHESTER® MODEL 70 SUPER GRADE RIFLE WAS SO NAMED IN 1937 AS AN UPGRADE FROM THE STANDARD MODEL. THE SPORTER STYLE STOCK IS TRIMMER FOR EXCELLENT HANDLING AND IDEAL BALANCE. A SHADOWLINE CHEEKPIECE PERFECTLY ALIGNS YOUR EYE WITH THE SCOPE. HIGHLY POLISHED, DEEPLY BLUED STEEL AND FINELY CHECKERED FANCY GRADE WALNUT TELLS YOU THIS IS INDEED, A SUPER GRADE MODEL 70 RIFLE.





Three-Position Safety. The improved three-position safety on the Model 70 has proven effective and highly popular with hunters and shooters for decades. Convenient to operate with the thumb of the firing hand, the Model 70 safety design lifts the firing pin away from the sear. When the safety selector is in the middle position, the action can still be operated, allowing unfired cartridges to be cycled with the safety on. It is smooth to engage and easily identifies the safety status of the rifle.

Blade-Type Ejector. A blade-type ejector allows you to have full control when ejecting a fired case. Pull the bolt back slowly and the empty case pops out gently, perfect for target shooters and varminters. Pull the bolt back smartly and the empty case clears the port with greater force. The blade-type ejector helps to eliminate short-stroking malfunctions.

Hammer-Forged Barrel. Model 70 barrels are made in the same American factory that produces barrels for the rifles and machine guns used by the U.S. Armed Forces around the world. Every Model 70 barrel is cold hammer-forged from a solid billet of steel for accuracy and long life. Massive rotary hammers shape the barrel steel around a mandrel to create the rifling. The barrel is threaded, target crowned and installed on the receiver. The chamber is then reamed and the bolt is headspaced. This way you can expect 1 MOA accuracy for three-shot groups from your Model 70 using a properly managed barrel, quality match ammo and superior optics under ideal weather and range conditions.



Left side view.



SUPER GRADE From Botswana to the Brooks Range, no other rifle has traveled so extensively in search of big game or is held in such high esteem as the bolt-action Model 70. Foremost in the series is the elegant Super Grade. You feel a surge of pride as you slide it from the rack. The warm grain and figure of the fancy grade walnut stock complement the contrasting black fore-end tip and pistol grip cap. The sleek lines of the sculpted shadowline cheekpiece flow across the stock. A blued steel stock crossbolt is tastefully engraved, adding both strength and elegance, while inlaid blued steel swivel studs grace the underside of the stock. A tasteful black Pachmayr® Decelerator™ pad helps soften felt recoil. The cold hammer-forged steel barrel is free floating for enhanced accuracy. The new M.O.A. Trigger System puts the Super Grade under your total control. With no take up, no creep and no overtravel, it's the finest trigger ever offered and will immediately help you realize the true 1 MOA accuracy potential of your Model 70 Super Grade. When you're ready for super accuracy combined with super elegance, you're ready for the Model 70 Super Grade.

- M.O.A.™ Trigger System
- Three-position safety
- Controlled Round Feeding
- High grade walnut stock
- Hex socket action screws
- One-piece triggerguard and hinged magazine floorplate

The shadowline cheekpiece on the Model 70 Super Grade is beautifully functional, placing your eye in perfect alignment behind either open sights or a scope.



Item Number	Caliber	Sights	Magazine Capacity	Barrel Length	Overall Length	Length of Pull	Drop at Comb	Drop at Heel	Nominal Wt. (lbs.)	Rate of Twist	Sugg. Retail
MODEL 70 SUPER GRADE Prices in U.S. Dollars • Delivery Starting June, 2008											
SUPER GRADE • Fancy Grade Walnut Stock, No Sights											
NEW 535100228	30-06 Sprg.	N/A	5	24"	44¾"	13¾"	½"	½"	8	10"	\$1,149
NEW 535100233	300 Win. Mag.	N/A	3	26"	46¾"	13¾"	½"	½"	8¼	10"	1,199

TRAIL BLAZERS.

MODEL 70

MODEL 70™

THE RIFLEMAN'S RIFLE,
TOUGH ALL AROUND.

NEW

NEW

MODEL™
70



FEATHERWEIGHT™ DELUXE The legendary handling and quickness of the Model 70 Featherweight Deluxe is justly famous among hunters everywhere. The Model 70 action offers Pre-'64 style Controlled Round Feeding, a three-position safety and is highlighted by a jeweled bolt and knurled bolt handle. Inside is the new M.O.A. Trigger System, the finest trigger ever offered in a bolt-action with zero take up, zero creep and zero overtravel. Like the original Featherweight, the angled comb walnut stock still features the Schnabel fore-end and satin finish with elegant cut checkering. A premium Pachmayr® Decelerator® recoil pad helps soak up felt recoil. It's available in the most popular long and short action calibers, including WSM chamberings.

SPORTER DELUXE The Sporter Deluxe features a satin finished walnut stock with cut checkering on its trim fore-end and pistol grip, along with a sculpted cheekpiece for precise scope alignment to create a superbly balanced rifle that's lighter to carry. The premium Pachmayr® Decelerator® recoil pad with the ideal contact area offers optimal protection against felt recoil while still being quick to the shoulder. Along with the Sporter's great looks and handling come a cold-hammer forged barrel and the crisp new three-lever M.O.A. Trigger System to let you fully exploit the 1 MOA accuracy potential of this classic hunting rifle. Available in popular long and short action calibers including WSM calibers.



The handsome contours of the Sporter stock include a sculpted cheekpiece for instant scope alignment. (Right-hand model shown.)



- Satin finished Grade II checkered walnut stock
- Controlled Round Feeding
- M.O.A.™ Trigger System
- Three-position safety
- Hex socket action screws
- One-piece triggerguard and hinged magazine floorplate

	Item Number	Caliber	Sights	Magazine Capacity	Barrel Length	Overall Length	Length of Pull	Drop at Comb	Drop at Heel	Nominal Wt. (lbs.)	Rate of Twist	Sugg. Retail
MODEL 70 FEATHERWEIGHT DELUXE Prices in U.S. Dollars • Delivery Starting June, 2008												
FEATHERWEIGHT DELUXE • Satin Finished Grade II Walnut Stock, No Sights												
NEW	535102212	243 Win.	N/A	5	22"	42"	13½"	5/8"	7/8"	6½	10"	\$999
NEW	535102226	270 Win.	N/A	5	22"	42½"	13½"	5/8"	7/8"	6¾	10"	999
NEW	535102218	7mm-08 Win.	N/A	3	22"	42"	13½"	5/8"	7/8"	6½	10"	999
NEW	535102220	308 Win.	N/A	5	22"	42"	13½"	5/8"	7/8"	6½	12"	999
NEW	535102228	30-06 Sprg.	N/A	5	22"	42½"	13½"	5/8"	7/8"	6¾	10"	999
NEW	535102233	300 Win. Mag.	N/A	3	24"	44½"	13½"	5/8"	7/8"	6¾	10"	1,049
NEW	535102264	270 WSM	N/A	3	24"	44"	13½"	5/8"	7/8"	7	10"	1,049
NEW	535102255	300 WSM	N/A	3	24"	44"	13½"	5/8"	7/8"	7	10"	1,049
NEW	535102277	325 WSM	N/A	3	24"	44"	13½"	5/8"	7/8"	7	10"	1,049
MODEL 70 SPORTER DELUXE Prices in U.S. Dollars • Delivery Starting June, 2008												
SPORTER DELUXE • Satin Finished Grade II Walnut Stock with Sculpted Cheekpiece, No Sights												
NEW	535101226	270 Win.	N/A	5	24"	44½"	13¾"	½"	½"	7½	10"	\$999
NEW	535101228	30-06 Sprg.	N/A	5	24"	44½"	13¾"	½"	½"	7½	10"	999
NEW	535101233	300 Win. Mag.	N/A	3	26"	46½"	13¾"	½"	½"	7¾	10"	1,049
NEW	535101264	270 WSM	N/A	3	24"	44"	13¾"	½"	½"	7¼	10"	1,049
NEW	535101255	300 WSM	N/A	3	24"	44"	13¾"	½"	½"	7¼	10"	1,049
NEW	535101277	325 WSM	N/A	3	24"	44"	13¾"	½"	½"	7¼	10"	1,049

SEE RED.

MODEL 70



Left side sculpted cheekpiece.
(Right-hand model shown.)

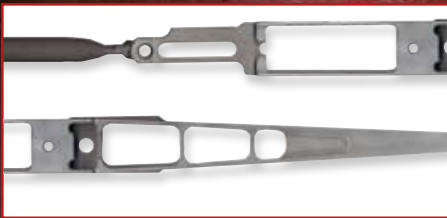
NEW



Scope not included.

MODELTM
70

	Item Number	Caliber	Sights	Magazine Capacity	Barrel Length	Overall Length	Length of Pull	Drop at Comb	Drop at Heel	Nominal Wt. (lbs.)	Rate of Twist	Sugg. Retail
MODEL 70 EXTREME WEATHER SS Prices in U.S. Dollars • Delivery Starting June, 2008												
EXTREME WEATHER SS • Bell and Carlson Synthetic Stock with Sculpted Cheekpiece, No Sights												
NEW	535103226	270 Win.	N/A	5	22"	41¾"	13¾"	½"	½"	7	10"	\$1,149
NEW	535103220	308 Win.	N/A	5	22"	41"	13¼"	½"	½"	7	12"	1,149
NEW	535103228	30-06 Sprg.	N/A	5	22"	41¾"	13¾"	½"	½"	7	10"	1,149
NEW	535103233	300 Win. Mag.	N/A	3	26"	43¾"	13¾"	½"	½"	7¼	10"	1,199
NEW	535103264	270 WSM	N/A	3	24"	43"	13¾"	½"	½"	7	10"	1,199
NEW	535103255	300 WSM	N/A	3	24"	43"	13¾"	½"	½"	7	10"	1,199
NEW	535103277	325 WSM	N/A	3	24"	43"	13¾"	½"	½"	7	10"	1,199



Bedding block. The Model 70 Extreme Weather SS is bedded into an alloy skeletal bedding block that's actually molded right into the stock during manufacture. The precise mating of this bedding block to the lower portion of the receiver means you can depend on the Model 70 Extreme Weather SS to hold a reliable zero and put the first shot and every shot that follows right where you expect it, in any weather conditions, year after year.

Composite stock. The Model 70 Extreme Weather SS's premium Bell and Carlson™ composite stock features enhanced ergonomics with a trim, light feel. The textured matte surface offers a sure grip in any conditions. A sculpted cheekpiece helps ensure proper eye-to-scope alignment from any shooting position. The thick black Pachmayr® Decelerator™ pad helps take the bite out of recoil, and the black pistol grip cap offers a tasteful finishing touch. Two stainless steel sling swivel studs are installed.

One-piece bottom metal. The unitized triggerguard and magazine frame of the Model 70 Extreme Weather SS add rigidity to the entire action for greater accuracy. The hinged magazine floorplate speeds unloading of the cartridges held in the magazine, avoiding having to individually cycle them through the action. The twin Allen-head action screws offer a clean, no-sag look and feel to the underside of the rifle. The action screws can be carefully torqued to provide optimum accuracy.

- **M.O.A.™ Trigger System**
- **Controlled Round Feeding**
- **Three-position safety**
- **Bell and Carlson™ premium composite stock**
- **Hex socket action screws**
- **One-piece triggerguard and hinged magazine floorplate**

EXTREME WEATHER SS Accuracy under all conditions. The Bell and Carlson™ composite stock features a textured charcoal grey matte finish for rugged good looks and improved grip in adverse conditions. The Pachmayr® Decelerator™ pad helps take the felt recoil bite out of high performance magnum cartridges. The claw extractor offers Controlled Round Feeding so the cartridge may be easily withdrawn from the chamber at any point after it leaves the magazine. The cartridge feed lips are part of the receiver for improved reliability and greater durability. The classic three-position safety offers both on safe and fire positions, plus a middle position that locks the firing pin yet still allows the bolt to be operated, providing a greater margin of safety when checking the chamber condition or unloading. The Extreme Weather SS's free floating, fluted stainless barrel is made in the same factory as those found on U.S. military rifles and machine guns, and features a recessed target crown to help protect the rifling. 1 MOA accuracy with superior optics and match ammo under ideal conditions can be expected from the Extreme Weather SS.



MODEL 70™ THE ULTIMATE EXTREME CONDITIONS RIFLE.

THE NEW MODEL 70 EXTREME WEATHER SS OFFERS HUNTERS A RUGGED, EXCEPTIONALLY ACCURATE RIFLE THAT'S READY TO MEET ANY CHALLENGE. THE NEW M.O.A. TRIGGER SYSTEM, PRE-'64 TYPE CONTROLLED ROUND FEED BOLT AND THREE-POSITION SAFETY OFFER ABSOLUTE CONTROL OVER EVERY SHOT. THE EXTREME WEATHER SS'S TEXTURED SYNTHETIC BELL AND CARLSON™ STOCK WITH SCULPTED CHEEKPIECE IS A PREMIUM HIGH-PERFORMANCE DESIGN, ENGINEERED TO MAINTAIN A RELIABLE ZERO IN ALL WEATHER CONDITIONS AND PROVIDE AN IDEAL FIT FOR PERFECT EYE-TO-SCOPE ALIGNMENT IN EVERY SHOOTING POSITION. THE ONE-PIECE METAL TRIGGERGUARD AND STAINLESS STEEL HINGED MAGAZINE FLOORPLATE ADD RIGIDITY FOR IMPROVED ACCURACY. WHEN YOU FIRE THE MODEL 70 EXTREME WEATHER SS, YOU'LL EXPERIENCE THE ULTIMATE IN WINCHESTER® ACCURACY AND DURABILITY.

RED DAWN.

SUPER X[®] RIFLE **CARRY CONFIDENCE.**

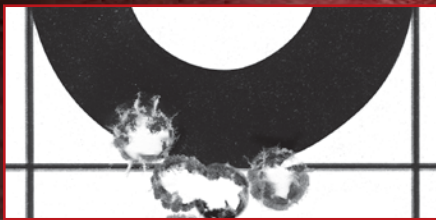
FROM WHITETAIL SLIPPING THROUGH THE DENSE WOODS OF THE SOUTH, TO TROPHY ELK HANGING IN THE HIGH VALLEYS OF THE ROCKY MOUNTAINS AND TO THE ROUGH AND TUMBLE COUNTRY FREQUENTED BY WILD BOAR, THE SUPER X RIFLE IS THE IDEAL RIFLE — FAST, VERSATILE, ACCURATE AND WELL-BALANCED. A MODERN GAS-OPERATED AUTOLOADING SYSTEM HELPS TAKE THE PUNCH OUT OF SHOOTING MAGNUM CARTRIDGES. THE SUPER X RIFLE'S CUTTING-EDGE STYLING IS A DEPARTURE FROM TRADITION, SETTING THIS RIFLE APART FROM THE COMPETITION. THE BOTTOM LINE: THE SUPER X RIFLE GIVES YOU HARD-HITTING SPEED, ACCURACY AND RELIABILITY WITH FAST FOLLOW-UP SHOTS.

SXR



SXRTM





Bolt-Action Accuracy. The combination of a multi-lug rotating bolt locking system and a precision hammer-forged barrel give the gas-operated Super X rifle accuracy that rivals many bolt-action rifles. It's strong enough to fire powerful magnum cartridges, and reliable with virtually any bullet weight currently available in factory ammunition.

Detachable Box Magazine. Quick to load and unload, the Super X rifle uses a unique detachable box magazine. Simply depress the magazine release button located in front of the trigger guard, remove the empty magazine and replace with a loaded one. Additional loaded magazines can be carried in a pocket or pack.

Functional Styling. The appearance of the Super X rifle makes a statement about the shooter who carries it. The checkered walnut stock floats to the shoulder and provides a sure, comfortable grip. Natural pointing with fast follow-up shot ability give you the advantage on fast-moving game.

SUPER X RIFLE The fastest follow-up shot is the one that loads itself, making the Super X rifle autoloader among the fastest on the planet. From its rigid alloy receiver to its hammer-forged barrel, the Super X rifle will meet the challenge of any hunting situation. An enlarged trigger guard, crossbolt safety and smooth trigger make the Super X rifle easy to operate, even with gloved hands. When you shoulder the Super X rifle, the functional, ergonomic styling of the select grade walnut stock fits perfectly and provides ideal eye-to-scope alignment.



- Accuracy that rivals many factory bolt-action rifles
- 45% less felt recoil
- Fast, reliable gas-operation
- Available in popular standard and magnum calibers
- Removable trigger assembly
- Detachable box magazine
- Ergonomic walnut stock and forearm

Item Number	Caliber	Sights	Magazine Capacity	Barrel Length	Overall Length	Length of Pull	Drop at Comb	Drop at Heel	Nominal Wt. (lbs.)	Rate of Twist	Sugg. Retail
SUPER X RIFLE AUTOLOADER Prices in U.S. Dollars											
SUPER X RIFLE • Walnut Stock, No Sights											
531008228	30-06 Sprg.	N/A	4	22"	43"	14 1/8"	7/8"	1 1/4"	7 1/2	10"	\$899
531008233	300 Win. Mag.	N/A	3	24"	45"	14 1/8"	7/8"	1 1/4"	7 1/2	10"	919
531008264	270 WSM	N/A	3	24"	45"	14 1/8"	7/8"	1 1/4"	7 1/2	10"	919
531008255	300 WSM	N/A	3	24"	45"	14 1/8"	7/8"	1 1/4"	7 1/2	10"	919

FIRECRACKER.

WILDCAT™ TURN IT LOOSE!

NO GUN COLLECTION IS COMPLETE WITHOUT AN EXTREMELY ACCURATE, SWEET-SHOOTING 22 RIMFIRE RIFLE. THE WILDCAT BOLT-ACTION RIFLE IS MORE THAN JUST AN INCREDIBLE VALUE. IT OFFERS OUTSTANDING ACCURACY THROUGH A TARGET CROWNED PRECISION BARREL WITH A POLISHED BORE AND HAMMER-FORGED RIFLING. CYCLE SOME FUN THROUGH A NEW WILDCAT.



WILDCAT



Scope not included.





Accuracy Begins with the Barrel. You can't miss with a sporter-weight barrel on the Wildcat or a heavy bull barrel on the Wildcat Target/Varmint. Both have precision hammer-forged rifling with a right-hand, 1 in 16" twist, extensive polishing and a recessed target crown.

Four Magazines. How many 22 rifles come with four magazines? The new Wildcat comes standard with one 5-round and three 10-round removable box magazines. You won't have to worry about purchasing extra magazines, ever.

Recessed Target Crown. As a bullet leaves the barrel, it is imperative that the precision rifling and crown at the end of the bore are preserved and protected. Wildcat barrel crowns are recessed to protect this critical area, preserving accuracy. With semi-match chambers and carefully polished bores, you'll be putting every shot from the Wildcat right on target.



Fold-down Rear Sight. The adjustable blade folds out of the way, allowing large diameter scope bells more clearance. (Not available on Target/Varmint model.)

Detachable Box Magazine. The forward mounted release button lets the detachable box magazine drop right into your hand for easy retention and rapid reloading.

Easy to Operate and Maintain. The Wildcat's polished, fieldstrippable bolt, crisp two-stage trigger (adjustable for weight on the Target/Varmint model) and easy-to-reach two-position safety lever give you complete control over every shot.



WILDCAT TARGET/VARMINT The Wildcat Target/Varmint rifle has a highly accurate, heavy .827" diameter bull barrel. The receiver is drilled and tapped for bases, as well as grooved for mounting a scope. While many of today's smallbore rifles are clunky little plinkers, the Target/Varmint has the look and feel of a sleek, full-size hunting rifle, complete with an adjustable trigger and dual front steel swivel studs. The pinpoint accuracy of the Wildcat Target/Varmint will make a lasting impression from the very first shot. One 5-round and three 10-round magazines are included. (Scope and rings not included.)



WILDCAT Unleash the Winchester® Wildcat, the most accurate rimfire rifle to hit the range in recent memory. The Wildcat rifle's checkered hardwood stock features the familiar look of the historic centerfire Model 70 Featherweight, complete with a checkered black synthetic Winchester buttplate and matching grip cap, Schnabel fore-end and steel sling swivel studs. Along with the smooth, highly polished bolt, the trigger is light and crisp. One 5-round and three 10-round magazines are included.

- One inch and better accuracy at 50 yards possible with premium ammunition
- Smooth, fast cycling
- Chrome-plated bolt for easy maintenance
- Four detachable box magazines included
- Checkered buttplate with embossed Winchester crest

22 Bolt-Action Rifle™ **WILDCAT™**

Item Number	Caliber	Sights	Magazine Capacity	Barrel Length	Overall Length	Length of Pull	Drop at Comb	Drop at Heel	Nominal Wt. (lbs.)	Rate of Twist	Sugg. Retail
WILDCAT RIMFIRE Prices in U.S. Dollars • All Wildcat models include one 5-round magazine and two 10-round magazines											
WILDCAT TARGET/VARMINT • Hardwood Stock											
525101202	22 LR	N/A	5/10	21"	38 ³ / ₈ "	13 ¹ / ₂ "	3 ⁴ / ₄ "	1"	5 ¹ / ₂	16"	\$299
WILDCAT • Hardwood Stock											
525100102	22 LR	Yes	5/10	21"	38 ³ / ₈ "	13 ¹ / ₂ "	15 ¹ / ₁₆ "	1 ³ / ₁₆ "	4 ¹ / ₂	16"	\$269

HOT SHOT.

Patrick Flanigan

SUPER X[®]3 THE WORLD'S FASTEST SHOTGUN. 12 SHOTS IN 1.442 SECONDS.



DURA-TOUCH[®]
Armor Coating

ACTIVE VALVE
system



SUPER X3 FLANIGUN EXHIBITION/SPORTING Pictured here is a duplicate of the Super X3 shotgun that Patrick Flanigan shoots. Only his magazine tube has been modified to hold more shells. In timing Patrick's ability to fire 12 shots, he was clocked at cycling all dozen shells in 1.442 seconds — the fastest ever recorded. Everything about the Super X3 is designed for speed and performance. Faster follow-up shots can be made because of the reduced felt recoil. The Active Valve system allocates gases in a clean, precise manner. The gun is light and responsive. The barrel's .742" Back-Bored Technology works with the Invector-Plus™ choke tube system to provide consistent, dense patterns. The Dura-Touch® Armor Coating keeps the stock from slipping in your hands. The stock is adjustable for a custom fit to your shooting style and body type, thus maximizing overall efficiency of fit, balance and swing.

Now, Patrick's incredible Super X3 autoloader can be yours, just like the one he uses to break world records (with a standard magazine tube). It is fully configured for exhibition or sporting use, including an additional gas piston to allow the use of a full range of factory loads from the lightest 1 oz. target loads to heavy 3" magnums if desired, all with clockwork reliability. See him do it right now at www.winchesterguns.com/flanigan.

SX3[™]



	Item Number	Gauge	Barrel Length	Chamber	Choke Tubes	Overall Length	Length of Pull	Drop at Comb	Drop at Heel	Nominal Wt. (lbs.)	Sugg. Retail
SUPER X3 AUTOLOADING SHOTGUN Prices in U.S. Dollars											
3" FLANIGUN EXHIBITION/SPORTING COMPOSITE • Composite Stock, Dura-Touch Armor Coating											
NEW	511084392	12	28"	3"	3+	49"	14¼"	1¾"	2"	7¼	\$1,349



WITH A LITTLE "LUCK 'O THE IRISH" IN 2005, PATRICK FLANIGAN SMASHED A WORLD RECORD BY BREAKING 11 HAND-THROWN CLAY TARGETS UNASSISTED BEFORE THEY HIT THE GROUND. IT TOOK INTENSE PRACTICE, LIGHTNING REFLEXES AND HIS INCREDIBLE, SUPER-FAST WINCHESTER SUPER X3 AUTOLOADER, NOW FIRMLY ESTABLISHED AS THE WORLD'S FASTEST SHOTGUN.

THE ONLY GUN FAST ENOUGH FOR PATRICK FLANIGAN.

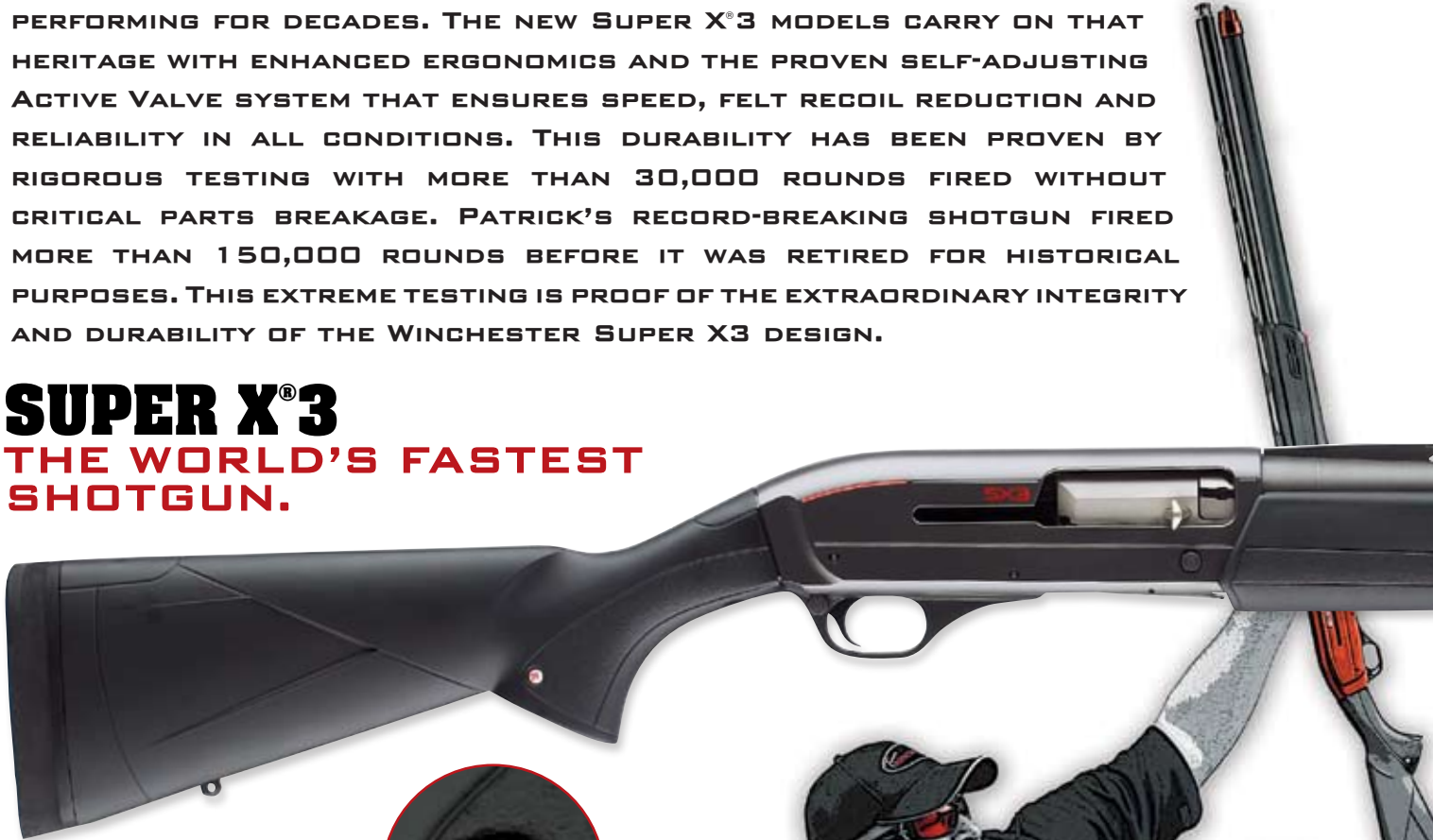
ONE YEAR LATER, PATRICK NABBED ANOTHER WORLD RECORD BY BREAKING NINE CLAY TARGETS, SHOOTING THEM UNASSISTED FROM THE HIP WITH HIS SUPER X3. HE REIGNS AS KING OF XTREME SPORT SHOOTERS. A HOST OF FEATURES THAT INCLUDES THE PROVEN ACTIVE VALVE GAS SYSTEM ENSURES HIS SHOTGUN PERFORMS FLAWLESSLY, TIME AFTER TIME, IN FRONT OF SPECTATORS. LIKE A FINELY TUNED RACE CAR, THE FEATURES OF THE SUPER X3 COMBINE TO CREATE THE WORLD'S FASTEST AUTOLOADING SHOTGUN.



FIRE ENGINE.

THE WINCHESTER® AUTOLOADING SHOTGUN TRADITION LIVES ON. WINCHESTER SHOTGUNS HAVE BEEN RELIABLE, GREAT LOOKING AND TOP PERFORMING FOR DECADES. THE NEW SUPER X®3 MODELS CARRY ON THAT HERITAGE WITH ENHANCED ERGONOMICS AND THE PROVEN SELF-ADJUSTING ACTIVE VALVE SYSTEM THAT ENSURES SPEED, FELT RECOIL REDUCTION AND RELIABILITY IN ALL CONDITIONS. THIS DURABILITY HAS BEEN PROVEN BY RIGOROUS TESTING WITH MORE THAN 30,000 ROUNDS FIRED WITHOUT CRITICAL PARTS BREAKAGE. PATRICK'S RECORD-BREAKING SHOTGUN FIRED MORE THAN 150,000 ROUNDS BEFORE IT WAS RETIRED FOR HISTORICAL PURPOSES. THIS EXTREME TESTING IS PROOF OF THE EXTRAORDINARY INTEGRITY AND DURABILITY OF THE WINCHESTER SUPER X3 DESIGN.

SUPER X®3 THE WORLD'S FASTEST SHOTGUN.



A red "W" is embedded into the pistol grip on every Super X3 Composite.



SX3™

Item Number	Gauge	Barrel Length	Chamber	Choke Tubes	Overall Length	Length of Pull	Drop at Comb	Drop at Heel	Nominal Wt. (lbs.)	Sugg. Retail
SUPER X3 AUTOLOADING SHOTGUN Prices in U.S. Dollars										
3½" COMPOSITE • Composite Stock, Dura-Touch Armor Coating										
511053271	12	26"	3½"	3+	47"	14¼"	1¾"	2"	7	\$1,149
511053261	12	28"	3½"	3+	49"	14¼"	1¾"	2"	7¼	1,149
3" COMPOSITE • Composite Stock, Dura-Touch Armor Coating										
511053371	12	26"	3"	3+	47"	14¼"	1¾"	2"	7	\$1,029
511053361	12	28"	3"	3+	49"	14¼"	1¾"	2"	7¼	1,029



THE ACTIVE VALVE SYSTEM. The Active Valve system automatically self adjusts, allocating the exact gas pressure necessary to fire a wide range of loads — critical for any autoloader used in real life hunting conditions. When firing the heaviest magnum loads in 3½" models, gases vent upward and a portion of the gases are vented forward out of the Quadra-Vent™ ports in the forearm, further regulating bolt speed. 3" models fire everything from light, 1 1/8 oz., 2¾" target loads to 3" magnums, while 3½" guns handle everything from 1 1/8 oz., 2¾" field loads up to heavy 3½" magnums.



Count on the Super X3 to reliably cycle everything from field loads to heavy magnums.

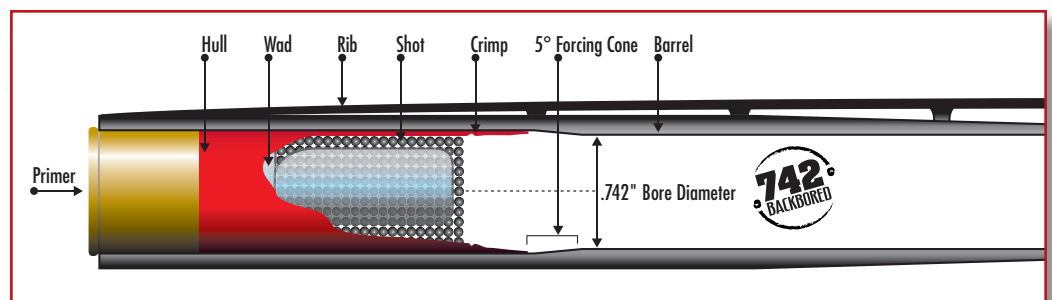


- 50% less felt recoil than inertia-operated guns
- 5 shots in .49 seconds
- Tested in excess of 30,000 rounds without critical parts failure
- Removable trigger assembly
- Dura-Touch® Armor Coating enhances grip

SUPER X3 COMPOSITE The Winchester® Super X3 Composite shotgun is the model preferred by many hunters because of its tough stock and forearm, and trim dimensions that feel and balance perfectly in your hands. Dura-Touch® Armor Coating provides a sure grip during wet weather conditions. A gunmetal grey Perma-Cote UT (Ultra Tough) surface finish is applied to external metal surfaces for extreme corrosion protection, while the bolt is plated with electroless nickel for reduced friction and added corrosion resistance. A weight-saving alloy magazine tube and recoil spring system, slim barrel with a machined rib, and an alloy receiver contribute to the svelte 7 pound weight. The self-adjusting Active Valve gas system and proprietary next generation Pachmayr® Decelerator® recoil pad reduce felt recoil as much as 50% over that of inertia-operated autoloaders for faster follow-up shots and prolonged shooting comfort. Proven .742" Back-Bored Technology works with the Invector-Plus™ choke tube system to provide consistent, dense patterns. 3" and 3½" chambered models are available. Three choke tubes, two length of pull stock spacers, drop and cast adjustment spacers, and sling swivel studs are all included.



.742" Back-Bored Technology. Extensive research and testing has proven that when it comes to back-boring, .742" is the ideal interior barrel diameter, ensuring tight, consistent patterns. Any larger and gases blow by the shot cup and reduce pellet velocity. Too small and the pellets are deformed as they pass through the forcing cone, causing poor ballistic performance.



BRUSH FIRE.

SUPER X³ WALNUT FIELD Bold looks and innovative features make the Winchester[®] Super X3 Field shotgun a beautiful sight to behold — tough for the competition. Weighing in at a scant 6¾ pounds, thanks to a weight-saving magazine tube and recoil spring system, slim barrel with a machined rib, and an alloy receiver, the 3" chambered Super X3 Walnut Field has all the features you want in a field gun, or a sporting gun for that matter. The self-adjusting Active Valve gas system reduces recoil significantly more than inertia-operated systems and a proprietary next generation Pachmayr[®] Decelerator[®] recoil pad is fitted to further increase shooting comfort. Trim grip and forearm dimensions add to the lightweight, fast handling feel. The .742" Back-Bored Technology and Invector-Plus[™] choke tube system work together to provide perfect patterns. A unique gunmetal grey Perma-Cote UT[™] (Ultra Tough) surface finish is applied to external surfaces for extreme corrosion protection, and the bolt is plated with electroless nickel for reduced friction and added corrosion resistance. This is one shotgun you must experience to believe. Three choke tubes and two stock spacers for length of pull adjustments are included.

ACTIVE VALVE
system



SX3

SUPER X³ FIELD FIRE IT UP.

THE SUPER X3 SHOTGUN'S STOCK, GRIP AND FOREARM DIMENSIONS ARE TRIMMER AND SLIMMER FOR LIGHTER, FASTER CONTROL. AN ULTRALIGHT MAGAZINE TUBE AND LIGHTWEIGHT RECOIL SPRING SYSTEM REMOVES NEARLY ¾ OF A POUND OF WEIGHT. THE LIGHTWEIGHT BARREL FURTHER REDUCES WEIGHT WITH A NARROW PROFILE AND A MACHINED RIB. THE BARREL FEATURES .742" BACK-BORED TECHNOLOGY FOR THE IDEAL COMBINATION OF SHOT UNIFORMITY AND VELOCITY. THE GUNMETAL GREY PERMA-COTE[™] UT (ULTRA TOUGH) FINISH IS MORE DURABLE AND CORROSION RESISTANT THAN TRADITIONAL BLUEING. BEST OF ALL, THE CENTERED BALANCE, SUPERIOR FIT AND FINESSE IN THE FIELD WINCHESTER SHOTGUNS ARE RENOWNED FOR REMAIN INTACT.

NEW





Unique Checkering. Stylish checkering graces the stock on the Super X3 Walnut Field, offering bold looks and an enhanced grip.

Adjustable Length of Pull. Spacers fit between the stock and recoil pad to customize your Super X3 Walnut Field to your exact measurements. Two spacers are included with every Super X3 Walnut Field to adjust stock length between 13³/₄" and 14³/₈" on wood stocks and 14¹/₄" and 14³/₄" on composite stocks.

Perma-Cote™ UT Finish. UT stands for Ultra Tough. The unique gunmetal grey color of the Super X3 is a heavy-duty finish that looks incredible and is extremely durable, scratch-resistant and corrosion-resistant for years of sharp looking performance.



SUPER X3 CLASSIC FIELD Introduce yourself to the new Winchester Super X3 Classic Field — the newest autoloader to join the rack at Winchester Repeating Arms. The Classic style stock is tastefully checkered in a traditional sharp diamond style for good looks and a firm grip. A graceful machined rib aligns your eye with the solid brass bead at the muzzle. The self-adjusting Active Valve gas system reduces felt recoil significantly more than inertia-operated systems. A traditionally-styled, proprietary next generation Pachmayr® Decelerator® recoil pad is fitted directly to the stock. Trim grip and forearm dimensions add to the lightweight, fast handling feeling. The .742" Back-Bored Technology and Invector-Plus™ choke tube system work together to provide perfect patterns. A unique gunmetal grey Perma-Cote UT (Ultra Tough) surface finish is applied to external surfaces for extreme corrosion protection, and the bolt is plated with electroless nickel to reduce friction and for added corrosion resistance. Three choke tubes are included.



	Item Number	Gauge	Barrel Length	Chamber	Choke Tubes	Overall Length	Length of Pull	Drop at Comb	Drop at Heel	Nominal Wt. (lbs.)	Sugg. Retail
SUPER X3 AUTOLOADING SHOTGUN Prices in U.S. Dollars											
WALNUT FIELD • Walnut stock with length of pull adjustment											
	511054371	12	26"	3"	3+	47"	14 ³ / ₈ "	1 ⁵ / ₈ "	2"	6 ³ / ₄	\$1,079
	511054361	12	28"	3"	3+	49"	14 ³ / ₈ "	1 ⁵ / ₈ "	2"	7	1,079
CLASSIC FIELD • Walnut stock with classic checkering											
NEW	511083391	12	26"	3"	3+	47"	14 ³ / ₈ "	1 ⁵ / ₈ "	2"	6 ³ / ₄	\$1,079
NEW	511083392	12	28"	3"	3+	49"	14 ³ / ₈ "	1 ⁵ / ₈ "	2"	7	1,079

COOKED GOOSE.

SUPER X³ RUGGED AND READY FOR ACTION.

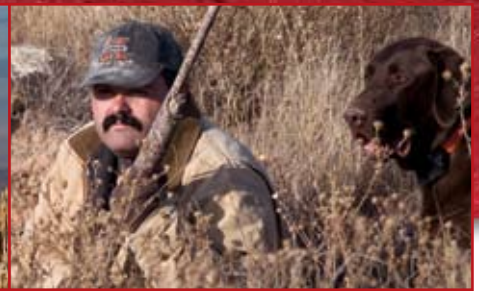
RELIABILITY IN THE FIELD IS ALL THAT MATTERS, SO TRUST THE GUNS THAT WORK. THE SUPER X3 SHOTGUN BLENDS THE PROVEN TECHNOLOGY OF THE ACTIVE VALVE GAS SYSTEM WITH UPDATED FEATURES AND DISTINCTIVE STYLING TO CREATE AN AUTOLOADER THAT'S READY FOR ANY HUNTING CHALLENGE. THE STOCK AND FOREARM FEATURE CONTOURS THAT ENHANCE THE EFFECTIVENESS OF THE CAMOUFLAGE. THE TRIM STOCK AND FOREARM DIMENSIONS AND DURA-TOUGH[®] ARMOR COATING PROVIDE A SECURE FEEL, EVEN WITH HEAVY GLOVES.

WHETHER LYING IN A WET BLIND, SLOGGING THROUGH FLOODED TIMBER OR A LONG DAY JUMPSHOOTING, COUNT ON A SUPER X3 TO WORK.

- Self-adjusting Active Valve provides world-class performance capable of firing 12 shells in 1.442 seconds
- Patented next generation Pachmayr[®] Decelerator[®] pad absorbs recoil, and the slick heel insert won't grab clothing when shouldering
- Easily customized length of pull
- Lightweight magazine tube and recoil spring system trims weight by $\frac{3}{4}$ of a pound



Item Number	Gauge	Barrel Length	Chamber	Choke Tubes	Overall Length	Length of Pull	Drop at Comb	Drop at Heel	Nominal Wt. (lbs.)	Sugg. Retail
SUPER X3 AUTOLOADING SHOTGUN Prices in U.S. Dollars										
3½" WATERFOWL • Composite Stock • Mossy Oak Duck Blind, Dura-Touch Armor Coating										
511074271	12	26"	3½"	3+	47"	14¼"	1¾"	2"	7	\$1,329
511074261	12	28"	3½"	3+	49"	14¼"	1¾"	2"	7¼	1,329
3½" ALL-PURPOSE FIELD • Composite Stock • Mossy Oak New Break-Up, Dura-Touch Armor Coating										
511059271	12	26"	3½"	3+	47"	14¼"	1¾"	2"	7	\$1,329
511059261	12	28"	3½"	3+	49"	14¼"	1¾"	2"	7¼	1,329
3" CANTILEVER DEER • Composite Stock, Dura-Touch Armor Coating, Fully Rifled										
511062340	12	22"	3"	N/A	43"	14¼"	1¾"	2"	7	\$1,079



SUPER X3 WATERFOWL Don't let a shiny shotgun flare wary geese! The Super X3 Waterfowl 3½" in all new, high-definition Mossy Oak® Duck Blind™ camo is the only choice. It's made specifically for serious waterfowlers with a weather-resistant composite stock and forearm with grip-enhancing Dura-Touch® Armor Coating finish. The bolt is plated with electroless nickel for reduced friction and added corrosion resistance. The barrel has an improved ventilated rib design and features .742" Back-Bored Technology and the Invector-Plus™ choke tube system for ideal shot patterns. The Active Valve system reliably cycles factory ammunition from 1⅛ oz., 2¾" field loads to 3½" magnums. Three choke tubes, two length of pull stock spacers, drop and cast adjustment spacers, and sling swivel studs are included.



DURA-TOUCH®
Armor Coating

BACK-BORED
TECHNOLOGY



SUPER X3 ALL-PURPOSE FIELD In the tight confines of flooded timber, a balanced, fast swinging, reliable shotgun that can handle the most severe conditions is a must — the Super X3 All-Purpose Field 3½" meets that criteria. The gas-operated Active Valve system cycles a wide variety of loads, and reduces felt recoil vastly better than inertia-operated systems. Fully concealed in Mossy Oak® New Break-Up® camo with Dura-Touch® Armor Coating for superb grip, feel and protection. The bolt is plated with electroless nickel for reduced friction and added corrosion resistance, while the fast swinging barrel features the Invector-Plus™ choke tube system and .742" Back-Bored Technology for optimal patterning. Three choke tubes, two length of pull stock spacers, drop and cast adjustment spacers, and sling swivel studs are included.



DURA-TOUCH®
Armor Coating

BACK-BORED
TECHNOLOGY



SUPER X3 CANTILEVER DEER Its rifled 22" barrel is optimized to provide unequalled accuracy with 2¾" and 3" sabot slugs. The proven Active Valve of the Super X3 Cantilever Deer reduces recoil and cycles fast for incredible follow-up shot speed. The cantilever design makes it easy to attach an electronic red dot or conventional scope to the Weaver-style rail, or allows you to aim with the adjustable rear sight and the TRUGLO® fiber-optic front sight. The Super X3 Cantilever Deer also features the durable gunmetal grey Perma-Cote™ UT (Ultra Tough) surface finish on the barrel and receiver. The bolt is plated with electroless nickel for reduced friction and extreme corrosion resistance. Dura-Touch® Armor Coating on the composite stock and forearm improves grip in all conditions. Two length of pull stock spacers, drop and cast adjustment spacers, and sling swivel studs are included.



TRUGLO

ACTIVE VALVE
system

DURA-TOUCH®
Armor Coating

RED HEAD.



The Super X3 NWTF Cantilever Extreme Turkey comes standard with an Invector-Plus® Extra-Full Turkey choke tube.

NEW

SUPER X³ TURKEY **FILL YOUR FREEZER.**

LEAVE NOTHING TO CHANCE WHEN YOU'VE MANAGED TO TRICK A BIG TOM BY CALLING HIM INTO RANGE. YOU NEED A SHOTGUN YOU CAN COUNT ON, LIKE THE EXCLUSIVE WINCHESTER® SUPER X3 NWTF® CANTILEVER EXTREME TURKEY. IT'S LOADED WITH GREAT FEATURES LIKE A NEW TRUGLO® RED DOT ELECTRONIC SIGHT, FOLDING REAR SIGHT, MOSSY OAK® CAMO FOR ULTIMATE CONCEALMENT AND DENSE-PATTERNING EXTENDED EXTRA-FULL CHOKE TUBES. YOU ONLY HAVE TO SHOOT ONE TO DISCOVER THE PERFORMANCE OF THE SUPER X3. THE WINCHESTER® SUPER X3 NWTF CANTILEVER EXTREME TURKEY: IT'S THE PERFECT TOOL FOR TROPHY TURKEY HUNTING.



SXS



Quadra-Vent™ Forward Ducting System.

This improved design facilitates more efficient venting of excess gases forward, away from the shooter. This is a special advantage when shooting heavy 3½" loads where the Active Valve system regulates bolt speed by venting off additional gases through the piston.

Pachmayr® Decelerator® Recoil Pad. This patented recoil pad is ultra-soft and included on every Super X3 shotgun. The heel features a proprietary insert that won't snag on clothing when shouldering, while retaining full recoil-absorbing effectiveness.

Fine Tune Cast and Drop. All Super X3 Composite shotguns include spacers to adjust stock drop and cast over a ¼" range. The spacers fit between the stock and receiver to lock in your personalized dimensions.



SUPER X3 NWTF CANTILEVER EXTREME TURKEY

You can't miss with a TRUGLO® Red Dot scope! The Active Valve system reduces felt recoil. The 24" barrel with 3½" chamber and an Extra-Full Turkey choke tube, make this one incredible turkey gun. Extra features include the protective Dura-Touch® Armor Coating on the weather-resistant camo composite stock. The .742" Back-Bored Technology provides optimum shot patterns. Steel sling swivel studs are included.



SUPER X3 TRUGLO® DELUXE RED DOT SCOPE

Improve your shooting speed and accuracy at extended ranges with a TRUGLO electronic red dot scope, now included as standard equipment on the Super X3 NWTF Cantilever Extreme Turkey model. The crisp 5 MOA red dot can be adjusted for 11 levels of brightness to match any lighting conditions, and offers easy to zero click adjustments for both windage and elevation. With unlimited eye relief and a wide field of view, precise sighting even from difficult field shooting positions is now possible. Multi-coated lenses and internal surface treatments help eliminate reflections. This durable unit is waterproof, fogproof and is rated for 1000 Gs of shock resistance. The integrated Weaver-style mount allows quick attachment and removal from the barrel-mounted cantilever rail without loss of zero. Mossy Oak® New Break-Up® camouflage ensures total concealment from wary eyes.

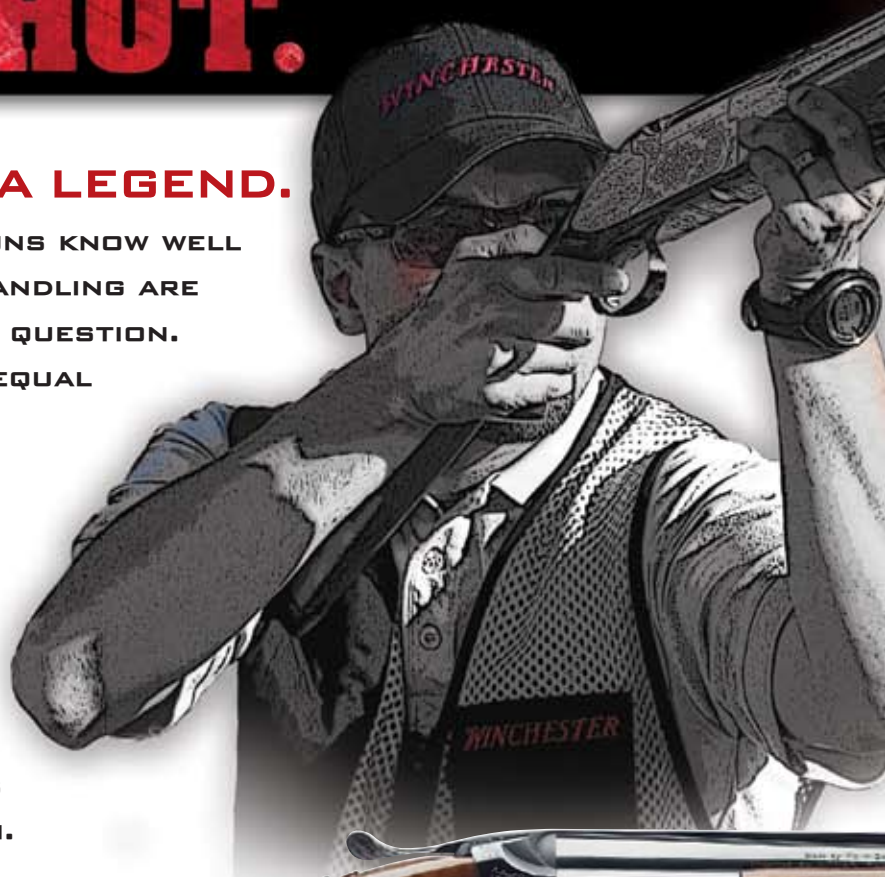


Item Number	Gauge	Barrel Length	Chamber	Choke Tubes	Overall Length	Length of Pull	Drop at Comb	Drop at Heel	Nominal Wt. (lbs.)	Sugg. Retail	
SUPER X3 AUTOLOADING SHOTGUN Prices in U.S. Dollars											
3½" NWTF CANTILEVER EXTREME TURKEY • Composite Stock, MONBU, TRUGLO Scope, Extra-Full Turkey tube											
NEW	511082290	12	24"	3½"	XF+	45"	14¼"	1¾"	2"	7½	\$1,399

SMOKIN' HOT.

MODEL 101™ RELIVE A LEGEND.

AFICIONADOS OF WINCHESTER® SHOTGUNS KNOW WELL THE MODEL 101. THE STYLING AND HANDLING ARE LEGENDARY, THE RELIABILITY NEVER IN QUESTION. TODAY'S MODEL 101S ARE THE FULL EQUAL OF THE SOUGHT-AFTER ORIGINAL WITH THE ADDED BENEFITS OF MODERN MANUFACTURING TECHNIQUES AND AN ADVANCED LOW PROFILE DESIGN FOR HANDLING PERFORMANCE. ONE THING THAT ISN'T NEW IS THE HIGH STANDARD OF QUALITY YOU EXPECT FROM A WINCHESTER SHOTGUN. AND, LIKE THE GREATEST OVER AND UNDERS IN HISTORY, THEY'RE MADE IN BELGIUM.



MODEL 101

- Made in Belgium craftsmanship
- .742" Back-Bored barrel technology with Invector-Plus™ choke tubes for optimum shot patterns
- High-gloss walnut stock and forearm
- Detailed original Model 101 styling and handling
- Traditional fine-cut checkering for a sure grip

Item Number	Gauge	Barrel Length	Chamber	Choke Tubes	Overall Length	Length of Pull	Drop at Comb	Drop at Heel	Nominal Wt. (lbs.)	Sugg. Retail	
MODEL 101 OVER AND UNDER SHOTGUNS Prices in U.S. Dollars											
MODEL 101 SPORTING • Grade II/III Walnut Stock, Made in Belgium											
513054492	12	28"	2¾"	5 Sig.+	46"	14⅝"	1⅜"	2⅜"	7¼	\$2,329	
513054493	12	30"	2¾"	5 Sig.+	48"	14⅝"	1⅜"	2⅜"	7½	2,329	
513054494	12	32"	2¾"	5 Sig.+	50"	14⅝"	1⅜"	2⅜"	7¾	2,329	
MODEL 101 FIELD • Grade II Walnut Stock, Made in Belgium											
513046371	12	26"	3"	3+	43"	14¼"	1⅜"	2⅜"	7	\$1,899	
513046361	12	28"	3"	3+	45"	14¼"	1⅜"	2⅜"	7¼	1,899	
MODEL 101 PIGEON GRADE TRAP OVER AND UNDER SHOTGUNS											
MODEL 101 PIGEON GRADE TRAP • Grade III/IV Walnut Stock, Raised Comb, Made in Belgium											
NEW	513057493	12	30"	2¾"	3 Sig.+	47¾"	14¾"	1⅜"	2½"	7½	\$2,149
NEW	513057494	12	32"	2¾"	3 Sig.+	49¾"	14¾"	1⅜"	2½"	7¾	2,149
MODEL 101 PIGEON GRADE TRAP ADJ. COMB • Grade III/IV Walnut Stock*, Made in Belgium											
NEW	513059493	12	30"	2¾"	3 Sig.+	47¾"	14¾"	1⅜"	2½"	7½	\$2,279
NEW	513059494	12	32"	2¾"	3 Sig.+	49¾"	14¾"	1⅜"	2½"	7¾	2,279

*Adjustable comb stock dimensions are measured with comb in a mid position.



Ports and Chokes. The Model 101 Sporting features ported barrels and premium stainless steel Signature™ extended choke tubes for added confidence on the range. The Invector-Plus™ design is the most popular in the world with target shooters.

Low-Profile Receiver. The Model 101 has the drop on the original with the advantage of a low-profile receiver. This means your forward hand can be closer to the bore centerline, bringing your hands, face and sighting plane into a more natural alignment for more intuitive and accurate shooting.

Familiar Dimensions. The new Model 101 features the same dimensions set long ago by the original. The familiar drop at comb and narrow, comfortable grip ensures time-tested levels of comfort and performance.



TRUGLO



MODEL 101 SPORTING It easily competes with the finest guns on the market in both looks and feel. The richly blued receiver and authentic engraving is framed by high-gloss grade II walnut. The Sporting includes a long list of high-performance features modern target shooters demand, like the Invector-Plus™ choke system with five Signature™ extended tubes and .742" Back-Bored Technology, providing optimum shot patterns. You can adjust the trigger for tuning length of pull. Lightweight ported barrels and the finest Pachmayr® Decelerator® sporting pad control recoil. A 10mm machined runway rib, white mid-bead and TRUGLO® front sight round out this feature-packed shotgun.

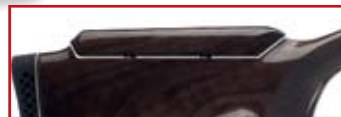


MODEL 101 FIELD Take a walk back in time with the Model 101 Field. This beauty holds true to its Model 101 roots with classic stock dimensions and a trim grip that provide a total performance fit. The solid brass bead front sight is immediately picked up when you sight down the lightweight barrels. The Invector-Plus™ choke system with three tubes and .742" Back-Bored Technology provide optimum patterning. Deep-relief receiver engraving honors the originals, as does the luxuriously finished high-gloss grade II walnut, complete with the very finest vented Pachmayr® Decelerator® pad with classic white line spacer.

NEW



TRUGLO

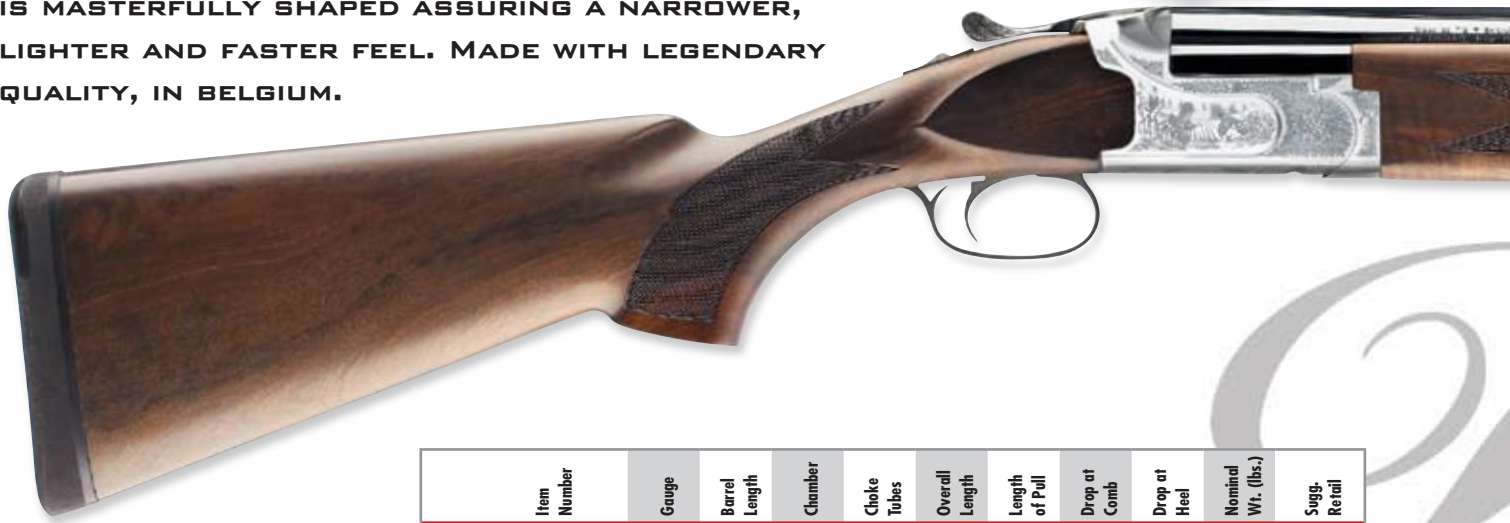


MODEL 101 PIGEON GRADE TRAP These deluxe trap guns dominate the field with sought-after extras straight from the box. A wide 10mm steel runway rib, mid-bead sight and TRUGLO® TRU-BEAD® interchangeable fiber-optic front sight offer a truer, more technical sight picture. The lightweight barrels are highly polished and feature porting and vented side ribs. An adjustable trigger shoe fine tunes length of pull. Models are available with a fixed raised comb or with an adjustable comb (shown) that allows individual height and cast on/off customization in seconds, both carved from beautiful Grade III/IV walnut. Available with 30" or 32" barrels. It features the Invector-Plus™ choke system and .742" Back-Bored Technology that is world renowned for ideal shot patterns. It also comes with Signature™ Series Extra-Full, Full and Improved Modified chokes. A molded ABS hard case is included.

WILD FIRE.

PLATINUM QUALITY SAYS IT ALL.

WHEN DECIDING ON A FINE OVER AND UNDER SHOTGUN, THE SELECT® PLATINUM MODELS WILL EXCEED YOUR EXPECTATIONS. THESE GUNS ARE BUILT TO LAST WITH A SUPER-STRONG ACTION TESTED AT 25,000 ROUNDS WITHOUT A SINGLE PART FAILURE. THE LOW-PROFILE RECEIVER MOVES YOUR HANDS AND EYES IN CLOSER PROXIMITY TO THE BORE CENTERLINE, PUTTING YOU MORE IN LINE WITH THE SIGHT PLANE FOR FASTER TARGET ACQUISITION WITH LESS FELT RECOIL. RICH WALNUT IS MASTERFULLY SHAPED ASSURING A NARROWER, LIGHTER AND FASTER FEEL. MADE WITH LEGENDARY QUALITY, IN BELGIUM.



SELECT

- Made in Belgium craftsmanship
- Low-profile receiver with dual locking lugs and a fixed third lug underneath the receiver
- Patented Pachmayr® Decelerator® recoil pad with snag-free heel
- .742" Back-Bored Technology barrels for optimum shot performance
- TRUGLO® fiber-optic sight on some models

Item Number	Gauge	Barrel Length	Chamber	Choke Tubes	Overall Length	Length of Pull	Drop at Comb	Drop at Heel	Nominal Wt. (lbs.)	Sugg. Retail
SELECT PLATINUM OVER AND UNDER SHOTGUNS Prices in U.S. Dollars										
Platinum Sporting • Grade II/III Walnut Stock, Made in Belgium										
513055492	12	28"	2¾"	5 Sig.+	46⅞"	14⅝"	1½"	2½"	7¼"	\$2,625
513055493	12	30"	2¾"	5 Sig.+	48⅞"	14⅝"	1½"	2½"	7¼"	2,625
513055494	12	32"	2¾"	5 Sig.+	50⅞"	14⅝"	1½"	2½"	7¾"	2,625
Platinum Field • Grade II/III Walnut Stock, Made in Belgium										
513047361	12	28"	3"	3 Sig.+	46⅞"	14¼"	1½"	2½"	7¼"	\$2,359
513047360	12	30"	3"	3 Sig.+	48⅞"	14¼"	1½"	2½"	7½"	2,359
SELECT DELUXE FIELD OVER AND UNDER SHOTGUNS Prices in U.S. Dollars										
Deluxe Field • Grade II Walnut Stock, Made in Belgium										
513052371	12	26"	3"	3+	43"	14¼"	1½"	2½"	7	\$1,607
513052361	12	28"	3"	3+	45"	14¼"	1½"	2½"	7¼"	1,607
513052360	12	30"	3"	3+	47"	14¼"	1½"	2½"	7½"	1,607



Strong Hinge. All hinged areas carry tension from recoil with each shot, so the Select is built with surfaces that are 49% larger than those of the competition. The surfaces are machined simultaneously with the hinge to ensure perfect alignment. The Select's locking lugs have 30% more contact surface than the competition — an action built to last.

Engraved Receiver. Exquisite classic game scenes adorn the sides of the traditionally-styled Platinum models. The engraving is deep and lightly inked to bring out the finest details.



PLATINUM SPORTING Own the range and your competition with a Select Platinum Sporting shotgun. Proven .742" Back-Bored Technology, combined with the Invector-Plus™ choke system and five Signature™ extended tubes give you superior shot patterns from the lightweight ported barrels. New, trimmer stock dimensions bring a lighter feel for faster handling. An adjustable trigger shoe allows you to fine-tune length of pull. A wide 10mm runway rib, mid-bead and TRUGLO® TRU-BEAD® competition front sight make picking up targets a breeze. The polished silver nitride receiver finish looks great, resists wear and complements the oil finish on the grade II/III walnut. A molded ABS hard case is included.



PLATINUM FIELD Quick to shoulder and naturally pointing, the Select Model Platinum Field will easily swing into action on fast moving birds like pheasant, grouse, quail and chukar. Trim new stock dimensions and a thin new grip provide control and performance you'll notice immediately. The lightweight back-bored barrels feature the Invector-Plus™ choke system, the most popular with target shooters worldwide, and three Signature™ extended tubes for superior shot patterns. Deep-relief engraving highlights the silver nitride receiver, as does the rich oil finish on the grade II/III walnut stock with Schnabel forearm. A molded ABS hard case is included.



Every Platinum shotgun comes with a durable ABS hard case imprinted with the Winchester Horse and Rider logo.



DELUXE FIELD You'll experience the handling you would expect from a much more expensive over and under with the Deluxe Field. It features an engraved steel receiver with silver nitride finish, the same stock fit and dimensions as the Platinum Field, executed in tasteful grade II walnut. A Pachmayr® Decelerator® recoil pad with a no-sag heel insert is standard. Lightweight profile barrels swing fast and fit precisely with the low-profile receiver. The Invector-Plus™ choke system (with three tubes) keeps the shot pattern you need right in your pocket. With a Deluxe Field, the superlative performance of an over and under field gun is yours, and has never been so affordable. It remains the best value over and under shotgun in the world.

GREASED LIGHTNING.

THE SPEED PUMP® FASTEST FOLLOW-UP EVER.

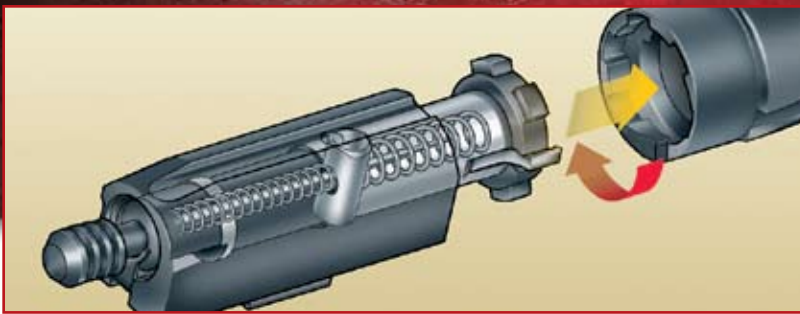
PICK UP THE NEW SPEED PUMP® SHOTGUN. EXPERIENCE THE LIGHT WEIGHT, CENTERED BALANCE AND INSTANT POINTABILITY FIRSTHAND. THE WINCHESTER® SPEED PUMP DESIGN PROVIDES YOU WITH THE FASTEST FOLLOW-UP SHOTS. NO OTHER PUMP OFFERS THE FEELING OF AN INERTIA-ASSISTED SLIDE-ACTION THAT CAN DELIVER THREE SHOTS IN A HALF SECOND.



/// SPEED-PUMP ///

- Speed Pump Field models have .742" Back-Bored Technology barrels with the Invector-Plus™ choke system for less shot deformation
- All barrels are fully chrome plated for durability using steel or tungsten shot and are easy to clean, giving you that extra margin of protection when hunting in wet conditions
- The only pump shotgun fast enough for Patrick Flanigan

	Item Number	Gauge	Barrel Length	Chamber	Choke Tubes	Overall Length	Length of Pull	Drop at Comb	Drop at Heel	Nominal Wt. (lbs.)	Sugg. Retail
SPEED PUMP SHOTGUN Prices in U.S. Dollars • Delivery Starting June, 2008											
WALNUT FIELD • Walnut Stock											
NEW	512250391	12	26"	3"	3+	47"	14"	1½"	2½"	7	\$399
NEW	512250392	12	28"	3"	3+	49"	14"	1½"	2½"	7¼	399
BLACK SHADOW FIELD • Composite Stock											
NEW	512251391	12	26"	3"	3+	47"	13¾"	1½"	2½"	7	\$349
NEW	512251392	12	28"	3"	3+	49"	13¾"	1½"	2½"	7¼	349
DEFENDER • Composite Stock											
NEW	512252395	12	18"	3"	Cyl.	39½"	13¾"	1½"	2½"	6½	\$299



The Rotary Bolt. Four massive lugs allow inertia to start the forearm and slide mechanism rearward as the stock recoils against your shoulder, giving you a head start on the next shot. Dual steel action bars eliminate twisting, binding and wasted time and energy when cycling the action.



The Speed Pump is FAST. In August, 2006, Patrick Flanigan broke six hand thrown clay targets individually, without assistance, from the hip with the Speed Pump shotgun, setting a new world record.



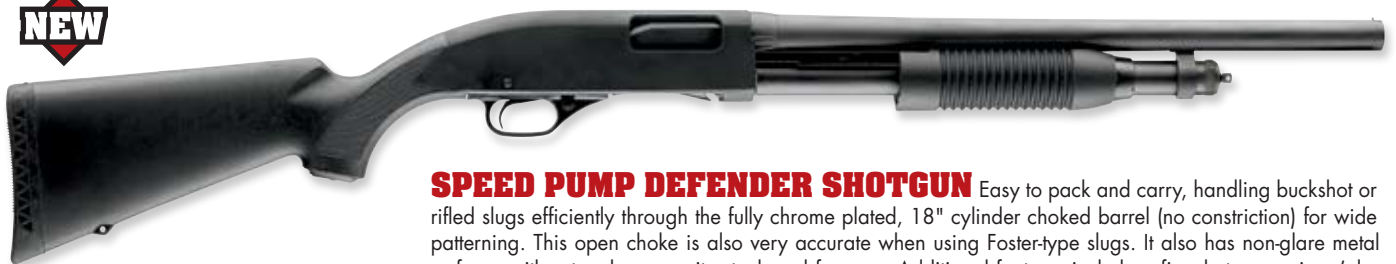
SPEED PUMP WALNUT FIELD It will get the job done *fast*. The Walnut Field features an elegant, gloss-finished walnut stock and forearm with cut checkering. And, because it's a Speed Pump, it's equipped with the Invector-Plus™ choke tube system, the most popular choke tube system in the world with target shooters. The Invector-Plus also gives you a chrome-plated .742" back-bored barrel for less shot deformation and more consistent patterns. Full, modified and improved cylinder choke tubes are included, ready for any game you choose. Select a 26" or 28" barrel length.



SPEED PUMP BLACK SHADOW® FIELD Rugged reliability with a non-glare matte finish on the barrel and receiver that won't cause birds to flare. The durable composite stock and forearm are up to tough conditions. The hard working Speed Pump action fires all factory 2¾" and 3" steel, tungsten, bismuth and lead loads through a new, chrome plated .724" back-bored barrel with Invector-Plus™ chokes, ensuring optimum patterns. Choose a tough 12 gauge with 26" or 28" barrel.

DEFENDER™ SAFE AND SOUND.

THIS IS THE DO-IT-ALL MODEL. USE IT FOR HOME SECURITY, COMPETITION OR HUNTING. IT ALSO PACKS EASILY FOR CAMPING. THE SIX-ROUND CAPACITY, COMPOSITE STOCK AND FOREARM IMPART CONFIDENCE AND CAPABILITY. IT'S ALL THE GUN YOU NEED FOR SECURITY AND PEACE OF MIND.



SPEED PUMP DEFENDER SHOTGUN Easy to pack and carry, handling buckshot or rifled slugs efficiently through the fully chrome plated, 18" cylinder choked barrel (no constriction) for wide patterning. This open choke is also very accurate when using Foster-type slugs. It also has non-glare metal surfaces with a tough composite stock and forearm. Additional features include a five-shot magazine, (plus one in the chamber) and a positive, deeply grooved forearm for control and stability.

ACCESSORIES AND CUSTOMER SERVICE.



CHOKE TUBES Prices in U.S. Dollars

Item Number	Gauge	Features	Sugg. Retail
SIGNATURE INVECTOR-PLUS CHOKES • 12 Gauge for Winchester Supreme, Select, Super X2 and Super X3 Shotguns			
6130703	12	Signature Series Invector-Plus X-Full Trap	\$44
6130713	12	Signature Series Invector-Plus Full	44
6130723	12	Signature Series Invector-Plus Lt. Full	44
6130733	12	Signature Series Invector-Plus Imp. Mod.	44
6130743	12	Signature Series Invector-Plus Mod.	44
6130753	12	Signature Series Invector-Plus Lt. Mod.	44
6130763	12	Signature Series Invector-Plus Imp. Cyl.	44
6130773	12	Signature Series Invector-Plus Skeet	44
6130783	12	Signature Series Invector-Plus Cyl.	44
6130793	12	Signature Series Invector-Plus Spreader	64
INVECTOR-PLUS CHOKES • 12 Gauge for Winchester Supreme, Select, Super X2 and Super X3 Shotguns			
613050	12	Invector-Plus X-Full	\$34
613051	12	Invector-Plus Full	29
613052	12	Invector-Plus Imp. Mod.	29
613053	12	Invector-Plus Mod.	29
613054	12	Invector-Plus Imp. Cyl.	29
613055	12	Invector-Plus Skeet	29
613056	12	Invector-Plus Cyl.	29
6130043	12	Invector-Plus T-Wrench	19
STANDARD INVECTOR CHOKES • 12 Gauge for Winchester Super X2 Practical Models			
6130303	12	Standard Invector Full	\$19
6130313	12	Standard Invector Imp. Mod.	19
6130323	12	Standard Invector Mod.	19
6130333	12	Standard Invector Imp. Cyl.	19
6130343	12	Standard Invector Skeet	19
6130353	12	Standard Invector Cyl.	19
6130033	12	Standard Invector T-Wrench	19

EXTRA SHOTGUN BARRELS Prices in U.S. Dollars

Item Number	Gauge	Chamber	Barrel Length	Features	Sugg. Retail
Super X3 Field Barrels • 12 Gauge, 3½" Chamber					
611053271	12	3½"	26"	Perma-Cote UT, Vent Rib, with 1 Modified Invector-Plus Choke Tube	\$519
611053261	12	3½"	28"	Perma-Cote UT, Vent Rib, with 1 Modified Invector-Plus Choke Tube	519
Super X3 Field and Deer Barrels • 12 Gauge, 3" Chamber					
611054371	12	3"	26"	Perma-Cote UT, Vent Rib, with 1 Modified Invector-Plus Choke Tube	\$419
611054361	12	3"	28"	Perma-Cote UT, Vent Rib, with 1 Modified Invector-Plus Choke Tube	419
611036340	12	3"	22"	Perma-Cote UT, Rifled, Cantilever Scope Mount	529
Super X2 Field, Deer and Turkey Barrels • 12 Gauge, 3½" Chamber					
611063250	12	3½"	26"	Matte Blue, Vent Rib, with 1 Modified Invector-Plus Choke Tube	\$479
611063246	12	3½"	28"	Matte Blue, Vent Rib, with 1 Modified Invector-Plus Choke Tube	479
611063253	12	3½"	24"	Matte Blue, Vent Rib, TRUGLO® Sights, w/1 X-Full Extended Invector-Plus Choke Tube	499
611101240	12	3½"	22"	Matte Blue, Rifled, Cantilever Scope Mount	549
Super X2 Field Deer and Turkey Barrels • 12 Gauge, 3" Chamber					
611064350	12	3"	26"	Gloss Blue, Vent Rib, with 1 Modified Invector-Plus Choke Tube	\$379
611064346	12	3"	28"	Gloss Blue, Vent Rib, with 1 Modified Invector-Plus Choke Tube	379
611063350	12	3"	26"	Matte Blue, Vent Rib, with 1 Modified Invector-Plus Choke Tube	379
611063346	12	3"	28"	Matte Blue, Vent Rib, with 1 Modified Invector-Plus Choke Tube	379
611062340	12	3"	22"	Matte Blue, Rifled, Cantilever Scope Mount	499

WINCHESTER® CHOKE TUBES

Winchester Signature™ choke tubes are unsurpassed in the shotgun industry. In collaboration with one of the finest makers of choke tubes in the world, the Invector-Plus™ and Standard Invector™ tubes are carefully machined from the best materials and calibrated to the strictest tolerances to deliver shot patterns exceeding your highest expectations. Installing these tubes in your barrel insures that you are getting optimum patterning for the most challenging of wild game and the most difficult presentations in clay target shooting.

FOR FIREARMS: WINCHESTERGUNS.COM
 FOR AMMUNITION: WINCHESTER.COM



SUPER X RIFLE SPARE MAGAZINES Prices in U.S. Dollars

Item Number	Description	Sugg. Retail
112029903	Super X Rifle, 30-06 Sprg.	\$55
112029902	Super X Rifle, 300 Win. Mag.	55
112029900	Super X Rifle, 270 WSM	55
112029901	Super X Rifle, 300 WSM	55

CUSTOMER SERVICE FOR WINCHESTER FIREARMS.

You can expect the same great Customer Service you've become accustomed to over the years. Expert gunsmiths can help you with the most technical problems and repairs to your firearms. There are many Authorized Repair Centers (ARC) throughout the country with gun repair professionals who know your firearm inside and out. If you need service on current models, as well as older Model 70, Model 94, Model 9422 or Model 1300 firearms, please contact one of the Authorized Repair Centers or our main Service Center in Arnold, Missouri. Please call (800) 333-3288 for more information.

WINCHESTER REPEATING ARMS

Customer Service Department
 275 Winchester Avenue
 Morgan, Utah 84050
 (800) 945-5237
 (801) 876-3440
 winchesterguns.com

Parts and Service
 3005 Arnold Tenbrook Road
 Arnold, MO 63010
 (800) 322-4626

Owner's manuals for all Winchester® firearms in this or previous catalogs are available upon request at no charge. Owners of Winchester firearms without owner's manuals are encouraged to request one online or at the address below. Some models and calibers are made periodically only. Winchester Repeating Arms (WRA) reserves the right to delay, postpone or discontinue production of any Winchester firearm for any reason without notice. All specifications in this catalog are subject to change without notice. Weights, stock dimensions, wood appearance, etc., may vary slightly between individual firearms. Wood is a natural product. No two pieces are alike and variation between stocks is to be expected. WRA reserves the right to modify or change specifications without notice. WRA will make every effort to make sure this catalog is accurate at the time of printing and apologizes for any errors in photographs, descriptions and specifications.

Please note that the following models are or were manufactured in Japan: Models 1885, 1886, 1892, 1895, 63 and 52B. Super X2, Super X3, Super X rifle and Select shotguns are manufactured in Belgium and assembled in Portugal. Model 70 rifles are manufactured in the USA. Wildcat rifles are manufactured in Russia. The following trademarks are used with permission from the Olin Corporation: Winchester, the Horse and Rider design, Super X, SX2 design, Super X2, SX3 design, Super X3, SXR design, Model 1892, Select, Model 101, Model 1300, Model 94, Model 70, Speed Pump, Speed Pump design, the red W design, Wildcat, and Wildcat design. Other trademarks used in this catalog: Mossy Oak Duck Blind and Mossy Oak New Break-Up are registered trademarks of Haas Outdoors. Pachmayr and Decelerator are registered trademarks of Lyman. Invictor-Plus, Dura-Touch and Perma-Cote are trademarks of Browning. TRUGLO is a trademark of Truglo, Inc. © Copyright, WRA September 2007. No part of this catalog may be reproduced without the written permission of Winchester Repeating Arms. Suggested retail pricing is in U.S. dollars and approximate and subject to change without notice. If you have any questions concerning Winchester brand firearms, visit your Winchester firearms dealer or write to: Winchester Repeating Arms, 275 Winchester Ave., Morgan, UT 84050-9333. Printed in USA. CG 0709400/07105 Winchester firearms are imported by BACO, Inc. Winchester is a registered trademark of Olin Corporation.



A portion of the sale of every Winchester firearm is proudly donated to the Heritage Fund, which helps to expand the legal defense against politically motivated lawsuits against the hunting and shooting industry. Working together, the rightful tradition of firearms in America will continue.



All Winchester firearms are shipped with a free locking device to assist in the safe storage of firearms. (Not shown actual size.)



BLAZING SPEED.



**12 SHOTS
IN 1.442
SECONDS.**

Patrick Flanigan

WINCHESTERGUNS.COM/FLANIGAN

SUPER X³: 12 SHOTS IN 1.442 SECONDS. SPEED PUMP: WORLD RECORD-SETTING PUMP ACTION SHOTGUN.

This is a year of major milestones in the legendary history of Winchester firearms, with a new shotgun speed record set with a Winchester Super X3 by Xtreme Sport Shooter Patrick Flanigan, firing a dozen shots in a mere 1.442 seconds. It also marks the return of the Winchester Model 70™, the Winchester Speed Pump™ and a return to our original brand name, given to the brand by Oliver Winchester himself in 1866: Winchester Repeating Arms. As one of the most recognized brand names in American history, we are pleased to bring you this catalog of fine firearms.

WINCHESTERGUNS.COM



PRICES IN U.S. DOLLARS

We proudly support these organizations.



PRSRT STD
U.S. POSTAGE PAID
PERMIT 315

Winchester Repeating Arms
275 Winchester Ave., Morgan, UT 84050-9333